

**TADANO ROUGH TERRAIN CRANE**  
**MODEL : GR-500EX**

(Left-hand steering)

**GENERAL DATA**

<u>CRANE CAPACITY</u>	50,000 kg at 2.5 m	
<u>BOOM</u>	4-section, 10.7 m — 34.7 m	
<u>DIMENSION</u>		
Overall length	approx.	13,055 mm
Overall width	approx.	2,980 mm
Overall height	approx.	3,765 mm
<u>MASS</u>		
Gross vehicle mass	approx.	33,420 kg
-front axle	approx.	16,440 kg
-rear axle	approx.	16,980 kg
<u>PERFORMANCE</u>		
Max. traveling speed	computed	25 km/h
Gradeability (tan $\theta$ )	computed	69 % (at stall) *57 %

\* Machine should be operated within the limit of engine crankcase design (30° : Cummins QSB6.7).

Specifications are subject to change without notice.

## CRANE SPECIFICATIONS

<u>MODEL</u>	GR-500EX
<u>CAPACITY</u>	50,000 kg at 2.5 m
<u>BOOM</u>	<p>Four section full power partially synchronized telescoping boom of round box construction with 4 sheaves at boom head. The synchronization system consists of a double acting telescope cylinder, extension cables and retraction cables.</p> <p>Hydraulic cylinder fitted with holding valves.</p> <p>Fully retracted length. . . . . 10.7 m</p> <p>Fully extended length. . . . . 34.7 m</p> <p>Extension speed. . . . . 24.0 m in 72 s</p>
<u>JIB</u>	<p>Two staged swingaround boom extension. Triple offset (5°/25°/45°) type. Stows alongside base boom section.</p> <p>Assistant cylinders for mounting and stowing.</p> <p>Single sheave at jib head.</p> <p>Length. . . . . 8.8 m and 15.2 m</p>
<u>SINGLE TOP (AUXILIARY BOOM SHEAVE)</u>	<p>Single sheave.</p> <p>Mounted to main boom head for single line work.</p>
<u>ELEVATION</u>	<p>By a double-acting hydraulic cylinder, fitted with holding valve.</p> <p>Automatic speed reduction and slow stop function.</p> <p>Boom angle . . . . . -0.8° to 81°</p> <p>Boom raising speed. . . . . 20° to 60° in 27 s</p>
<u>HOIST - Main winch</u>	<p>Variable speed type with grooved drum driven by hydraulic axial piston motor through winch speed reducer. Power load lowering and hoisting. Equipped with automatic brake (Neutral brake) and counterbalance valve. Controlled independently of auxiliary winch.</p> <p>Single line pull. . . . . 54.9 kN {5,600 kgf}</p> <p>Single line speed. . . . . 136 m/min (at the 4th layer)</p> <p>Wire rope. . . . . No-spin type</p> <p>Diameter x length. . . . . 19 mm x 193 m</p>
<u>HOOK BLOCK(Optional) - 50 t capacity</u>	5 sheaves, swivel type hook with safety latch.
<u>HOOK BLOCK(Optional) - 20 t capacity</u>	2 sheaves, swivel type hook with safety latch.

<u>HOIST -</u> <u>Auxiliary winch</u>	Variable speed type with grooved drum driven by hydraulic axial piston motor through winch speed reducer. Power load lowering and hoisting. Equipped with automatic brake (Neutral brake) and counterbalance valve. Controlled independently of main winch. Single line pull. . . . . 54.9 kN {5,600 kgf} Single line speed. . . . . 118 m/min (at the 2nd layer) Wire rope. . . . . No-spin type Diameter x length. . . . . 19 mm x 110 m
<u>HOOK BLOCK -</u> <u>5.6 t capacity</u>	Swivel type hook with safety latch for single line use.
<u>SWING</u>	Hydraulic axial piston motor driven through planetary speed reducer. Continuous 360° full circle swing on ball bearing slew ring. Equipped with manually locked/released swing brake. Swing speed. . . . . 2.7 min <sup>-1</sup> {rpm}
<u>HYDRAULIC SYSTEM</u>	Pumps. . . . . Two variable piston pumps for telescoping, elevating and winches. Tandem gear pump for steering, swing and optional equipment. Control valves. . . . Multiple valves actuated by pilot pressure with integral pressure relief valves. Circuit. . . . . Equipped with air cooled type oil cooler. Oil pressure appears on AML display for main circuit. Hydraulic oil tank capacity. . . approx. 560 liters Filters. . . . . Return line filter
<u>CRANE CONTROL</u>	By 4 control levers for swing, boom hoist, main winch, boom telescoping or auxiliary winch with 2 control pedals for boom hoist and boom telescoping based on ISO standard layout. Control lever stands can change neutral positions and tilt for easy access to cab.

CAB

Both crane and drive operations can be performed from one cab mounted on rotating superstructure. One sided one-man type, steel construction with sliding door access and tinted safety glass windows opening at side. Door window is powered control. Operator's 3 way adjustable seat with headrest and armrest. Air conditioner (Hot water heater and cooler).

TADANO Automatic  
Moment Limiter  
(Model: AML-C)

Main unit in crane cab gives audible and visual warning of approach to overload. Automatically cuts out crane motions before overload. With working range (load radius and/or boom angle and/or tip height and/or swing range) limit function.

Automatic Speed Reduction and Slow Stop function on boom elevation and swing.

Following functions are displayed.

- Load as percentage
- Number of parts of line of rope
- Boom angle
- Boom length
- Load radius
- Outriggers position
- On-tire indicator
- Actual hook load
- Permissible load
- Boom position indicator
- Potential hook height
- Swing angle
- Main hydraulic oil pressure
- Jib length and jib offset angle (only when jib operation)

OUTRIGGERS

Hydraulically operated H-type outriggers. Each outrigger controlled simultaneously or independently from the cab.

Equipped with sight level gauge. Floats mounted integrally with the jacks retract to within vehicle width.

All cylinders fitted with pilot check valves.

Crane operation with different extended length of each outrigger.

Equipped with extension width detector for each outrigger.

- Extended width
  - Fully. . . . . 7,000 mm
  - Middle. . . . . 6,500 mm
  - Middle. . . . . 5,000 mm
  - Minimum. . . . . 2,480 mm
- Float size (Diameter). . . . . 500 mm

COUNTERWEIGHT

Integral with swing frame

Mass. . . . . 2,900 kg

---

NOTE : Each crane motion speed is based on unladen conditions.

## CARRIER SPECIFICATIONS

<u>TYPE</u>	Rear engine, left-hand steering, driving axle 2-way selected type (by manual switch). 4 x 2 front drive 4 x 4 front and rear drive
<u>FRAME</u>	High-tensile steel, all welded mono-box construction.
<u>ENGINE</u>	Model. . . . Cummins QSB6.7 [EUROMOT Stage B] Type. . . . 4 cycle, turbo charged and after cooled, 6 cylinder in line, direct injection, water cooled diesel engine. Piston displacement. . . . 6,700 cm <sup>3</sup> Bore x stroke. . . . . 107 mm x 124 mm Max. output. . . . . 194 kW at 2,500 min <sup>-1</sup> {rpm} Max. torque. . . . . 843 N-m at 1,600 min <sup>-1</sup> {rpm}
<u>TRANSMISSION</u>	Electronically controlled full automatic transmission. Torque converter driving full powershift with driving axle selector. 6 forward and 2 reverse speeds. 2 speeds - High range - 2 wheel drive ; 4 wheel drive 4 speeds - Low range - 4 wheel drive
<u>AXLES</u>	Front. . . . Full floating type, steering and driving axle with planetary reduction. Rear. . . . Full floating type, steering and driving axle with planetary reduction. Non-spin differential.
<u>STEERING</u>	Hydraulic power steering controlled by steering wheel. Three steering modes available: 2-wheel front 4-wheel coordinated 4-wheel crab
<u>SUSPENSION</u>	Front. . . . Semi-elliptic leaf springs with hydraulic lockout device. Rear. . . . Semi-elliptic leaf springs with hydraulic lockout device.
<u>BRAKE SYSTEM</u>	Service. . . Air over hydraulic disc brakes on all 4 wheels. Parking / Emergency. . . Spring applied-air released brake acting on input shaft of front axle. Auxiliary. . .Electro-pneumatic operated exhaust brake.
<u>ELECTRIC SYSTEM</u>	24 V DC. 2 batteries of 12 V - 120 Ah capacity.
<u>FUEL TANK CAPACITY</u>	300 liters
<u>TIRES</u>	Front.....23.5–25 32PR (OR), Single x 2      Air pressure: 450kPa Rear.....23.5–25 32PR (OR), Single x 2      Air pressure: 450kPa
<u>TURN RADIUS</u>	Min. turning radius (at center of extreme outer tire) 2-wheel steering. . . . . 11.7 m 4-wheel steering. . . . . 6.7 m

## EQUIPMENT

STANDARD EQUIPMENT

Automatic moment limiter (AML)  
 External lamp and buzzer (AML)  
 Pendant type over-winding cutout  
 Winch automatic fail-safe brake  
 Over-unwinding prevention  
 Cable follower  
 Hook safety latch  
 Pilot check valves  
 Holding valves  
 Counterbalance valves  
 Hydraulic pressure relief valves  
 Swing brake  
 Swing lock  
 Boom angle indicator  
 Boom elevation foot pedal  
 Boom telescoping foot pedal  
 Outrigger extension width detector  
 Air conditioner (Hot water heater and cooler)  
 Sight level gauge  
 Hydraulic oil cooler  
 Electric windshield wiper and washer  
 Roof window wiper and washer  
 Power window (Cab door)  
 Tachometer/Speedometer  
 3 way adjustable cloth seat with seat belt, headrest and armrest  
 Cab floor mat  
 Sun visor (Front and roof)  
 Automatic drive system  
 Transmission neutral position engine start  
 Overshift prevention  
 Parking braked travel warning  
 Tilt-telescope steering wheel  
 Back-up alarm  
 Air cleaner dust indicator  
 Air dryer  
 Water separator with filter  
 Engine over-run alarm  
 Hydraulic lockout suspension  
 Non-spin differential (Rear)  
 Towing eyes - front and rear  
 Emergency steering  
 Emergency engine stop system  
 Telematics (machine data logging and monitoring system) with -  
 HELLO-NET via internet (availability depends on countries)  
 Winch drum rotation indicator (Audible and Visual type)  
 Fuel consumption monitor  
 Positive control  
 Eco mode system  
 Winch drum mirror

OPTIONAL EQUIPMENT

Tire inflation kit  
 Hook block - 50t capacity (5 sheaves, swivel type with safety latch.  
 Mass : approx. 500 kg)  
 Hook block - 20t capacity (2 sheaves, swivel type with safety latch.  
 Mass : approx. 400 kg)

## HOISTING PERFORMANCE

Main or auxiliary hoist 0.4m drum 19mm wire rope		
Layer	Line pulls	drum grooved lagging
	Available	Total wire rope
	N (kgf)	Meters
1st	67,400 (6,880)	37.6
2nd	61,800 (6,310)	78.3
3rd	57,000 (5,820)	122.0
4th	53,000 (5,410)	168.8
5th	49,500 (5,050)	218.6
6th	46,400 (4,730)	271.6
7th <sup>1</sup>	43,700 (4,460)	327.5

<sup>1</sup>Seventh layer of wire rope are not recommended for hoisting operations.

RATED LIFTING CAPACITIES

EN13000

ON OUTRIGGERS FULLY EXTENDED 7.0m SPREAD								
360° ROTATION (Unit: ×1000kg)								
B \ A	10.7m		18.7m		26.7m		34.7m	
	C		C		C		C	
2.5	69.3	50.0						
3.0	66.4	46.2	76.9	21.6				
3.5	63.6	41.3	75.4	21.6	80.8	18.7		
4.0	60.2	37.2	73.8	21.6	79.8	18.7		
4.5	56.9	33.7	72.2	21.6	78.8	18.3		
5.0	53.5	29.2	70.7	21.6	77.7	17.8		
5.5	49.9	26.7	69.0	21.6	76.7	17.1		
6.0	45.8	24.6	67.3	21.6	75.6	16.4	79.7	11.4
6.5	41.6	22.7	65.6	21.6	74.5	15.7	79.0	11.4
7.0	36.9	21.0	64.0	21.5	73.4	15.1	78.3	11.3
8.0	24.8	16.0	60.4	17.8	71.2	14.4	76.7	10.5
9.0			56.7	14.8	68.9	13.2	75.0	9.9
10.0			52.9	12.4	66.5	12.1	73.3	9.3
11.0			48.8	10.6	64.0	10.3	71.6	9.05
12.0			44.3	9.05	61.4	9.0	69.9	8.75
13.0			39.4	7.8	58.9	7.75	68.1	7.6
14.0			33.8	6.75	56.1	6.85	66.0	6.85
15.0			27.2	5.85	53.4	6.05	64.1	6.05
16.0			18.0	5.15	50.4	5.3	62.1	5.35
17.0					47.4	4.75	60.0	4.75
18.0					44.2	4.2	57.8	4.25
19.0					40.8	3.75	55.7	3.8
20.0					37.1	3.35	53.5	3.4
22.0					28.2	2.7	49.0	2.75
24.0					14.4	2.2	44.2	2.25
26.0							38.8	1.8
28.0							32.6	1.45
30.0							25.0	1.2
32.0							12.2	0.95
D	0°							

Unit: ×1000kg

LIFTING CAPACITIES AT ZERO DEGREE BOOM ANGLE								
ON OUTRIGGERS FULLY EXTENDED 7.0m SPREAD 360° ROTATION								
C \ A	10.7m		18.7m		26.7m		34.7m	
	B		B		B		B	
0°	8.6	7.5	16.6	3.2	24.4	1.5	32.1	0.6

A :Boom length (m)

B :Load radius (m)

C :Loaded boom angle (°)

D :Minimum boom angle (°) for indicated length (no load)



RATED LIFTING CAPACITIES

EN13000

ON OUTRIGGERS FULLY EXTENDED 7.0m SPREAD 360° ROTATION													
C	34.7m Boom + 8.8m Jib						C	34.7m Boom + 15.2m Jib					
	5°Tilt		25°Tilt		45°Tilt			5°Tilt		25°Tilt		45°Tilt	
	R	W	R	W	R	W		R	W	R	W	R	W
80°	7.6	5.6	10.5	3.8	12.5	2.75	80°	9.7	2.88	14.4	1.85	17.8	1.25
77.5°	9.8	5.18	12.5	3.63	14.3	2.65	77.5°	12.2	2.8	16.6	1.75	19.7	1.2
75°	11.8	4.78	14.3	3.48	16.1	2.58	75°	14.7	2.75	18.7	1.68	21.7	1.18
72.5°	13.7	4.38	16.2	3.33	17.7	2.5	72.5°	16.9	2.53	20.7	1.6	23.4	1.15
70°	15.5	4.03	17.9	3.2	19.3	2.45	70°	19.0	2.35	22.6	1.53	25.2	1.13
67.5°	17.3	3.73	19.7	3.05	20.9	2.4	67.5°	21.0	2.2	24.5	1.45	26.8	1.1
65°	19.1	3.5	21.3	2.93	22.4	2.35	65°	23.0	2.08	26.3	1.4	28.4	1.1
62.5°	20.7	3.2	22.8	2.75	23.9	2.33	62.5°	24.9	1.98	28.0	1.35	30.0	1.08
60°	22.3	2.9	24.3	2.58	25.4	2.3	60°	26.7	1.88	29.7	1.3	31.4	1.05
57.5°	23.7	2.5	25.8	2.25	26.7	2.05	57.5°	28.4	1.7	31.3	1.25	32.9	1.03
55°	25.2	2.15	27.1	1.95	27.9	1.85	55°	30.1	1.55	33.0	1.23	34.2	1.03
52.5°	26.7	1.88	28.4	1.7	29.0	1.63	52.5°	31.7	1.33	34.3	1.1	35.4	0.98
50°	28.0	1.63	29.7	1.5	30.2	1.45	50°	33.2	1.13	35.6	0.98	36.5	0.93
47.5°	29.3	1.4	30.9	1.3	31.2	1.28	47.5°	34.6	0.95	36.9	0.85	37.5	0.8
45°	30.6	1.23	32.0	1.15	32.3	1.13	45°	35.9	0.8	38.0	0.73	38.5	0.68
42.5°	31.8	1.08	33.1	1.0			42.5°	37.2	0.68	39.1	0.6		
40°	33.0	0.95	34.1	0.9			40°	38.4	0.58	40.1	0.5		
37.5°	34.1	0.83	35.0	0.78			37.5°	39.6	0.48	41.1	0.43		
35°	35.0	0.73	35.9	0.68			35°	40.7	0.4	42.0	0.35		
32.5°	35.9	0.63	36.7	0.6									
30°	36.8	0.55	37.4	0.53									
27.5°	37.6	0.48	38.1	0.45									
25°	38.3	0.43	38.7	0.4									

C : Boom angle (°)  
R : Load radius (m)  
W : Rated lifting capacity (Unit:×1000kg)

RATED LIFTING CAPACITIES

EN13000

ON OUTRIGGERS MID EXTENDED 6.5m SPREAD									
360° ROTATION (Unit: ×1000kg)									
B \ A	10.7m		18.7m		26.7m		34.7m		C
	C	C	C	C	C	C	C	C	
2.5	69.3	50.0							
3.0	66.4	46.2	76.9	21.6					
3.5	63.6	41.3	75.4	21.6	80.8	18.7			
4.0	60.2	37.2	73.8	21.6	79.8	18.7			
4.5	56.9	33.7	72.2	21.6	78.8	18.3			
5.0	53.5	29.2	70.7	21.6	77.7	17.8			
5.5	49.9	26.7	69.0	21.6	76.7	17.1			
6.0	45.8	24.6	67.3	21.6	75.6	16.4	79.7	11.4	
6.5	41.6	22.7	65.6	21.6	74.5	15.7	79.0	11.4	
7.0	36.9	20.9	63.9	19.6	73.4	15.1	78.3	11.3	
8.0	24.8	15.8	60.4	16.0	71.2	14.4	76.7	10.5	
9.0			56.7	13.4	68.9	12.3	75.0	9.9	
10.0			52.9	10.9	66.4	10.6	73.3	9.3	
11.0			48.7	9.15	63.9	9.2	71.6	8.6	
12.0			44.3	7.8	61.3	8.1	69.7	7.6	
13.0			39.4	6.7	58.7	6.95	67.8	6.8	
14.0			33.8	5.8	56.0	6.05	65.8	6.15	
15.0			27.2	5.05	53.3	5.3	63.9	5.4	
16.0			18.0	4.45	50.3	4.7	61.9	4.75	
17.0					47.3	4.15	59.8	4.2	
18.0					44.1	3.7	57.7	3.75	
19.0					40.7	3.3	55.6	3.35	
20.0					37.0	2.9	53.4	3.0	
22.0					28.1	2.35	48.8	2.4	
24.0					14.4	1.85	44.0	1.9	
26.0							38.6	1.5	
28.0							32.5	1.2	
30.0							24.9	0.95	
32.0							12.0	0.7	
<b>D</b>	0°								

Unit: ×1000kg

LIFTING CAPACITIES AT ZERO DEGREE BOOM ANGLE									
ON OUTRIGGERS MID EXTENDED 6.5m SPREAD 360° ROTATION									
C \ A	10.7m		18.7m		26.7m		34.7m		C
	B	B	B	B	B	B	B	B	
0°	8.6	7.5	16.6	3.2	24.4	1.5	32.1	0.6	

- A : Boom length (m)
- B : Load radius (m)
- C : Loaded boom angle (°)
- D : Minimum boom angle (°) for indicated length (no load)

## RATED LIFTING CAPACITIES

EN13000

ON OUTRIGGERS MID EXTENDED 6.5m SPREAD													
360° ROTATION													
C	34.7m Boom + 8.8m Jib						C	34.7m Boom + 15.2m Jib					
	5°Tilt		25°Tilt		45°Tilt			5°Tilt		25°Tilt		45°Tilt	
	R	W	R	W	R	W		R	W	R	W	R	W
80°	7.6	5.6	10.5	3.8	12.5	2.75	80°	9.7	2.88	14.4	1.85	17.8	1.25
77.5°	9.8	5.18	12.5	3.63	14.3	2.65	77.5°	12.2	2.8	16.6	1.75	19.7	1.2
75°	11.8	4.78	14.3	3.48	16.1	2.58	75°	14.7	2.75	18.7	1.68	21.7	1.18
72.5°	13.7	4.38	16.2	3.33	17.7	2.5	72.5°	16.9	2.53	20.7	1.6	23.4	1.15
70°	15.5	4.03	17.9	3.2	19.3	2.45	70°	19.0	2.35	22.6	1.53	25.2	1.13
67.5°	17.3	3.73	19.7	3.05	20.9	2.4	67.5°	21.0	2.2	24.5	1.45	26.8	1.1
65°	19.1	3.5	21.3	2.93	22.4	2.35	65°	23.0	2.08	26.3	1.4	28.4	1.1
62.5°	20.6	3.0	22.8	2.6	23.8	2.25	62.5°	24.9	1.98	28.0	1.35	30.0	1.08
60°	22.1	2.55	24.2	2.3	25.3	2.15	60°	26.7	1.88	29.7	1.3	31.4	1.05
57.5°	23.6	2.2	25.6	1.98	26.6	1.88	57.5°	28.3	1.58	31.4	1.2	32.9	1.03
55°	25.1	1.88	27.0	1.7	27.8	1.63	55°	29.9	1.33	32.9	1.15	34.2	1.03
52.5°	26.5	1.6	28.3	1.48	28.9	1.4	52.5°	31.4	1.1	34.2	0.95	35.3	0.88
50°	27.9	1.38	29.6	1.28	30.1	1.23	50°	33.0	0.93	35.5	0.8	36.4	0.75
47.5°	29.2	1.2	30.8	1.1	31.2	1.05	47.5°	34.4	0.78	36.8	0.65	37.5	0.63
45°	30.5	1.03	31.9	0.95	32.3	0.93	45°	35.8	0.65	37.9	0.55	38.5	0.53
42.5°	31.7	0.88	33.0	0.8									
40°	32.9	0.75	34.0	0.7									
37.5°	33.9	0.63	35.0	0.6									
35°	34.9	0.55	35.9	0.5									

C :Boom angle (°)

R :Load radius (m)

W :Rated lifting capacity (Unit:×1000kg)

RATED LIFTING CAPACITIES

EN13000

ON OUTRIGGERS MID EXTENDED 5.0m SPREAD									
360° ROTATION (Unit: ×1000kg)									
B \ A	10.7m		18.7m		26.7m		34.7m		
	C		C		C		C		
2.5	69.3	50.0							
3.0	66.4	46.2	76.9	21.6					
3.5	63.6	41.3	75.4	21.6	80.8	18.7			
4.0	60.2	36.4	73.8	21.6	79.8	18.7			
4.5	56.9	29.7	72.2	21.6	78.8	18.3			
5.0	53.4	24.9	70.7	21.6	77.7	17.8			
5.5	49.7	21.3	69.0	18.3	76.6	16.0			
6.0	45.7	18.4	67.3	16.1	75.5	14.3	79.7	11.4	
6.5	41.5	15.7	65.6	14.4	74.3	12.9	79.0	11.4	
7.0	36.7	13.6	63.9	13.0	73.2	11.7	78.2	10.5	
8.0	24.4	10.6	60.3	10.8	70.8	9.6	76.5	8.9	
9.0			56.6	8.95	68.5	8.3	74.6	7.6	
10.0			52.8	7.35	66.1	7.1	72.8	6.5	
11.0			48.6	6.25	63.6	6.3	71.0	5.8	
12.0			44.2	5.2	61.1	5.5	69.1	5.1	
13.0			39.3	4.45	58.4	4.75	67.2	4.5	
14.0			33.8	3.8	55.8	4.05	65.2	4.0	
15.0			27.2	3.2	53.0	3.5	63.4	3.55	
16.0			18.0	2.8	50.2	3.05	61.3	3.1	
17.0					47.1	2.6	59.3	2.65	
18.0					43.9	2.3	57.3	2.35	
19.0					40.5	1.95	55.1	2.0	
20.0					36.8	1.75	52.9	1.75	
22.0					28.0	1.25	48.5	1.3	
24.0					14.4	0.9	43.6	0.9	
26.0							38.3	0.6	
D	0°						25°		

Unit: ×1000kg

LIFTING CAPACITIES AT ZERO DEGREE BOOM ANGLE									
ON OUTRIGGERS MID EXTENDED 5.0m SPREAD 360° ROTATION									
C \ A	10.7m		18.7m		26.7m				
	B		B		B				
0°	8.6	7.5	16.6	2.5	24.5	0.8			

A : Boom length (m)

B : Load radius (m)

C : Loaded boom angle (°)

D : Minimum boom angle (°) for indicated length (no load)

## RATED LIFTING CAPACITIES

EN13000

ON OUTRIGGERS MID EXTENDED 5.0m SPREAD													
360° ROTATION													
C	34.7m Boom + 8.8m Jib						C	34.7m Boom + 15.2m Jib					
	5°Tilt		25°Tilt		45°Tilt			5°Tilt		25°Tilt		45°Tilt	
	R	W	R	W	R	W		R	W	R	W	R	W
80°	7.6	5.6	10.5	3.8	12.5	2.75	80°	9.7	2.88	14.4	1.85	17.8	1.25
77.5°	9.8	5.18	12.5	3.63	14.3	2.65	77.5°	12.2	2.8	16.6	1.75	19.7	1.2
75°	11.8	4.78	14.3	3.48	16.1	2.58	75°	14.7	2.75	18.7	1.68	21.7	1.18
72.5°	13.6	4.0	16.2	3.16	17.7	2.5	72.5°	16.8	2.5	20.7	1.6	23.4	1.15
70°	15.3	3.3	17.8	2.85	19.3	2.45	70°	18.9	2.3	22.5	1.53	25.2	1.13
67.5°	16.9	2.73	19.4	2.38	20.8	2.1	67.5°	20.7	1.85	24.6	1.38	26.8	1.1
65°	18.7	2.2	20.9	1.95	22.2	1.78	65°	22.5	1.48	26.2	1.25	28.4	1.1
62.5°	20.2	1.8	22.4	1.6	23.6	1.48	62.5°	24.3	1.18	27.8	1.0	29.9	0.9
60°	21.8	1.48	23.8	1.3	25.0	1.23	60°	25.9	0.93	29.4	0.8	31.2	0.73
57.5°	23.3	1.18	25.3	1.05	26.3	1.0	57.5°	27.7	0.7	30.9	0.6	32.6	0.55
55°	24.7	0.95	26.7	0.85	27.5	0.8	55°	29.3	0.55	32.4	0.45	33.8	0.4
52.5°	26.2	0.75	28.0	0.68	28.8	0.63							
50°	27.6	0.58	29.3	0.53	29.9	0.5							

C : Boom angle (°)

R : Load radius (m)

W : Rated lifting capacity (Unit:×1000kg)

RATED LIFTING CAPACITIES

EN13000

ON OUTRIGGERS MIN EXTENDED 2.48m SPREAD									
360° ROTATION (Unit: ×1000kg)									
B \ A	10.7m		18.7m		26.7m		34.7m		
	C		C		C		C		
2.5	69.1	23.0							
3.0	66.2	18.2	76.9	14.9					
3.5	63.1	14.8	75.3	12.5	80.5	10.7			
4.0	59.9	12.4	73.8	10.7	79.3	9.3			
4.5	56.6	10.3	72.2	9.3	78.2	8.2			
5.0	53.2	8.5	70.6	8.2	77.1	7.3			
5.5	49.5	7.05	68.9	7.1	76.1	6.5			
6.0	45.5	5.95	67.2	6.4	74.9	5.8	78.9	5.2	
6.5	41.2	5.05	65.5	5.7	73.8	5.2	78.0	4.7	
7.0	36.4	4.3	63.8	5.1	72.7	4.7	77.2	4.2	
8.0	24.1	3.15	60.2	3.9	70.3	3.8	75.4	3.5	
9.0			56.5	3.0	68.0	3.2	73.6	2.9	
10.0			52.6	2.3	65.6	2.5	71.8	2.4	
11.0			48.5	1.75	63.1	2.05	70.0	1.9	
12.0			44.0	1.35	60.7	1.6	68.2	1.5	
13.0			39.1	0.95	58.1	1.2	66.3	1.15	
14.0			33.6	0.65	55.4	0.9	64.4	0.9	
15.0					52.7	0.65	62.5	0.65	
D	0°		18°		44°		57°		

Unit: ×1000kg

LIFTING CAPACITIES AT ZERO DEGREE BOOM ANGLE									
ON OUTRIGGERS MIN EXTENDED 2.48m SPREAD 360° ROTATION									
C \ A	10.7m								
	B								
0°	8.6	2.6							

A : Boom length (m)

B : Load radius (m)

C : Loaded boom angle (°)

D : Minimum boom angle (°) for indicated length (no load)

NOTES FOR "ON OUTRIGGERS" TABLE

1. Rated lifting capacities shown in the table are based on condition that crane is set on firm level surface. Those above bold lines are based on crane strength and those below, on its stability.
2. Rated lifting capacities based on crane stability are according to EN13000.
3. The mass of the hook (500kg for 50 t capacity, 400kg for 20 t capacity, 150kg for 5.6 t capacity), slings and all similarly used load handling devices must be considered as part of the load and must be deducted from the lifting capacities.
4. For rated lifting capacity of single top, reduce the rated lifting capacities of relevant boom according to a weight reduction for auxiliary load handling equipment. Capacities of single top shall not exceed 5,600 kg including main boom hook mass and the net capacity must be so reduced.
5. Standard number of parts of line for each boom length is as shown below. Load per line should not surpass 54.9 kN {5,600 kgf} for main winch and auxiliary winch.

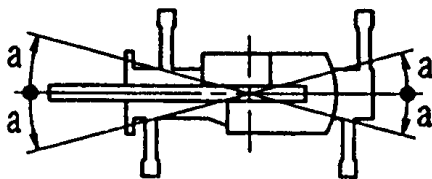
Boom length	10.7m	10.7m to 18.7m	18.7m to 34.7m	Single top Jib
Number of parts of line	10	6	4	1

The lifting capacity data stowed in the AUTOMATIC MOMENT LIMITER (AML) is based on the standard number of parts of line listed in the chart.

Maximum lifting capacity is restricted by the number of parts of line of AUTOMATIC MOMENT LIMITER (AML).

6. The lifting capacity for over-side area differs depending on the outrigger extension width. Work with the capacity corresponding to the extension width. The lifting capacities for over-front and over-rear areas are for "outriggers fully extended". However, the areas (angle **a**) differ depending on the outrigger extension width.

Outriggers extended width	6.5m (middle)	5.0m (middle)	2.48m (minimum)
Angle <b>a</b> <sup>o</sup>	45	25	5



# RATED LIFTING CAPACITIES

EN13000

ON RUBBER STATIONARY (Unit: ×1000kg)													
B	A	Over Front						360° Rotation					
		10.7m		18.7m		26.7m		10.7m		18.7m		26.7m	
		C		C		C		C		C		C	
3.0		66.2	22.1					66.1	12.6				
3.5		63.2	19.7					63.1	10.4				
4.0		60.0	17.5	73.8	15.6			59.9	7.95	73.8	8.65		
4.5		56.7	15.8	72.2	14.0			56.5	6.25	72.1	7.15		
5.0		53.2	14.3	70.6	12.5			53.1	5.15	70.5	5.85		
5.5		49.6	13.0	69.0	11.6			49.4	4.25	68.9	4.95		
6.0		45.6	11.9	67.3	10.7			45.5	3.5	67.2	4.25		
6.5		41.4	11.0	65.6	9.95	73.9	7.4	41.2	2.85	65.5	3.65	73.6	3.95
7.0		36.6	9.65	63.9	9.15	72.7	6.8	36.4	2.3	63.8	3.05	72.5	3.35
8.0		24.3	7.4	60.3	7.85	70.5	5.8	24.1	1.5	60.2	2.15	70.2	2.45
9.0				56.5	6.7	68.1	5.05			56.5	1.55	67.9	1.8
10.0				52.7	5.55	65.7	4.45			52.6	1.1	65.5	1.35
11.0				48.6	4.5	63.3	4.0			48.4	0.7	63.0	0.95
12.0				44.1	3.75	60.8	3.7					60.5	0.6
13.0				39.2	3.15	58.4	3.4						
14.0				33.7	2.65	55.6	2.9						
15.0				27.1	2.25	52.9	2.5						
16.0				17.6	1.9	50.1	2.15						
17.0						47.0	1.85						
18.0						43.8	1.55						
19.0						40.4	1.3						
20.0						36.7	1.1						
22.0						27.9	0.75						
<b>D</b>		0°						39°			55°		

Unit: ×1000kg

LIFTING CAPACITY AT ZERO DEGREE BOOM ANGLE ON RUBBER STATIONARY													
C	A	Over Front						360° Rotation					
		10.7m		18.7m		26.7m		10.7m					
		B		B		B		B					
0°		8.6	6.7	16.6	1.7	24.5	0.4	8.6	1.2				

A :Boom length (m)

B :Load radius (m)

C :Loaded boom angle (°)

D :Minimum boom angle (°) for indicated length (no load)



# RATED LIFTING CAPACITIES

EN13000

ON RUBBER CREEP (Unit: ×1000kg)													
B	A	Over Front						360° Rotation					
		10.7m		18.7m		26.7m		10.7m		18.7m		26.7m	
		C		C		C		C		C		C	
3.0		66.2	16.4					66.1	9.55				
3.5		63.1	14.4					63.0	8.0				
4.0		59.9	12.7	73.7	13.4			59.8	6.7	73.7	7.5		
4.5		56.6	11.4	72.1	12.1			56.5	5.35	72.1	6.35		
5.0		53.2	10.3	70.5	10.9			53.1	4.5	70.5	5.2		
5.5		49.5	9.4	68.9	9.95			49.4	3.65	68.9	4.25		
6.0		45.6	8.5	67.2	9.05			45.5	3.0	67.2	3.5		
6.5		41.3	7.75	65.5	8.25	73.9	7.4	41.2	2.4	65.5	2.95	73.6	3.4
7.0		36.5	7.05	63.8	7.6	72.7	6.8	36.4	1.95	63.8	2.55	72.5	2.85
8.0		24.2	5.95	60.3	6.5	70.5	5.7	24.1	1.25	60.2	1.9	70.2	2.05
9.0				56.5	5.6	68.1	4.75			56.5	1.35	67.8	1.55
10.0				52.7	4.65	65.7	4.2			52.6	0.9	65.4	1.15
11.0				48.5	3.8	63.3	3.65			48.4	0.55	63.0	0.8
12.0				44.1	3.15	60.8	3.15					60.5	0.5
13.0				39.2	2.65	58.3	2.75						
14.0				33.7	2.2	55.6	2.45						
15.0				27.1	1.85	52.9	2.05						
16.0				17.6	1.55	50.1	1.75						
17.0						47.0	1.5						
18.0						43.8	1.3						
19.0						40.4	1.05						
20.0						36.7	0.9						
22.0						27.8	0.55						
<b>D</b>		0°			14°			0°		44°		58°	

Unit: ×1000kg

LIFTING CAPACITY AT ZERO DEGREE BOOM ANGLE ON RUBBER CREEP													
C	A	Over Front						360° Rotation					
		10.7m		18.7m				10.7m					
		B		B				B					
0°		8.6	5.4	16.6	1.4			8.6	0.9				

A : Boom length (m)

B : Load radius (m)

C : Loaded boom angle (°)

D : Minimum boom angle (°) for indicated length (no load)

NOTES FOR "ON RUBBER" TABLES

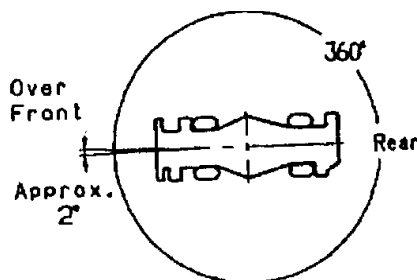
1. Rated lifting capacities shown in the table are based on condition that crane is set on firm level surface, with suspension lock applied. Those above bold lines are based on tire capacity and those below, on crane stability. They are based on actual working radii increased by tire deformation and boom deflection.
2. Rated lifting capacities based on crane stability are according to EN13000.
3. The mass of the hook (500 kg for 50 t capacity, 400 kg for 20 t capacity, 150 kg for 5.6 t capacity), slings and all similarly used load handling devices must be considered as part of the load and must be deducted from the lifting capacities.
4. For rated lifting capacity of single top, reduce the rated lifting capacities of relevant boom according to a weight reductions for auxiliary load handling equipment. Capacities of single top shall not exceed 5,600 kg including main hook.
5. On tires lifting with "jib" is not permitted. Maximum permissible boom length is 26.7 m.
6. CREEP is motion for crane not to travel more than 60 m in any 30 minute period and to travel at the speed of less than 1.6 km/h.
7. During "CREEP" duties travel slowly and keep the lifting load as close to the ground as possible, and especially avoid any abrupt steering, accelerating or braking.
8. Do not operate the crane while carrying the load.
9. Tires should be inflated to their correct air pressure of 450 kPa.
10. For CREEP operation, choose the drive mode and proper gear according to the road or working condition.
11. Standard number of parts of line for on tires operation should be according to the following table.  
Load per line should not surpass 54.9 kN {5,600 kgf} for main winch and auxiliary winch.

Boom length	10.7m	18.7m to 26.7m	Single top
Number of parts of line	6	4	1

The lifting capacity data stowed in the AUTOMATIC MOMENT LIMITER (AML) is based on the standard number of parts of line listed in the chart.

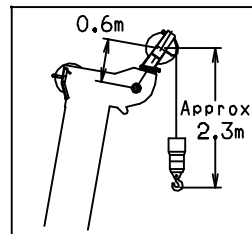
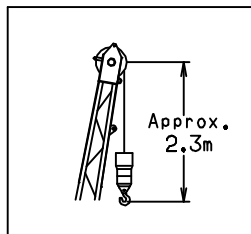
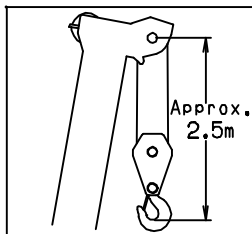
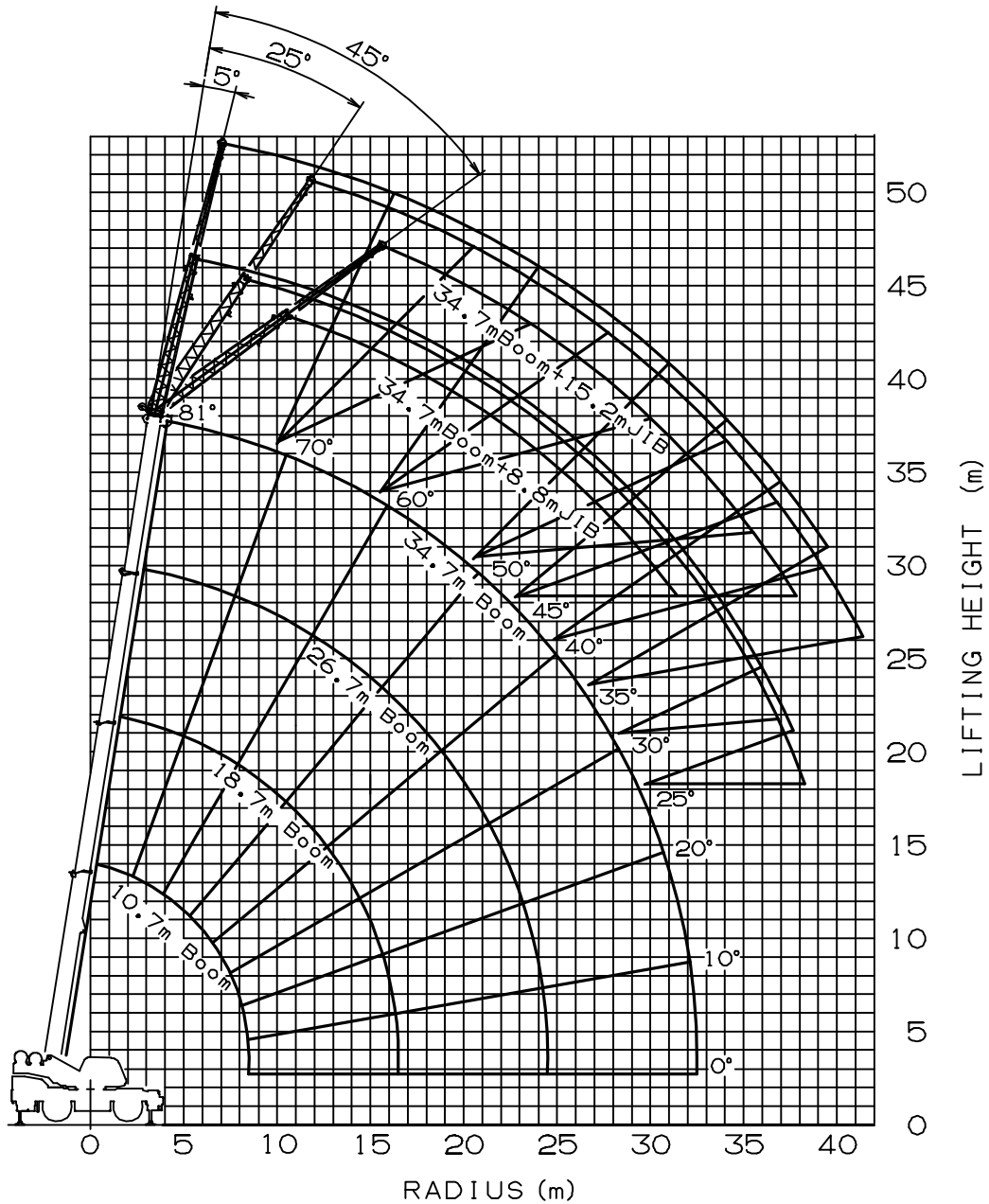
Maximum lifting capacity is restricted by the number of parts of line of AUTOMATIC MOMENT LIMITER (AML).

WORKING AREA



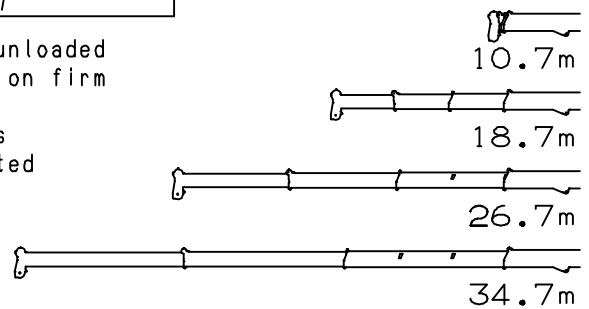
Without outriggers "Over front" operation should be performed within 2 degrees in front of chassis.

# WORKING RANGE CHART

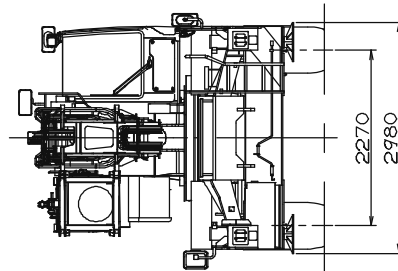
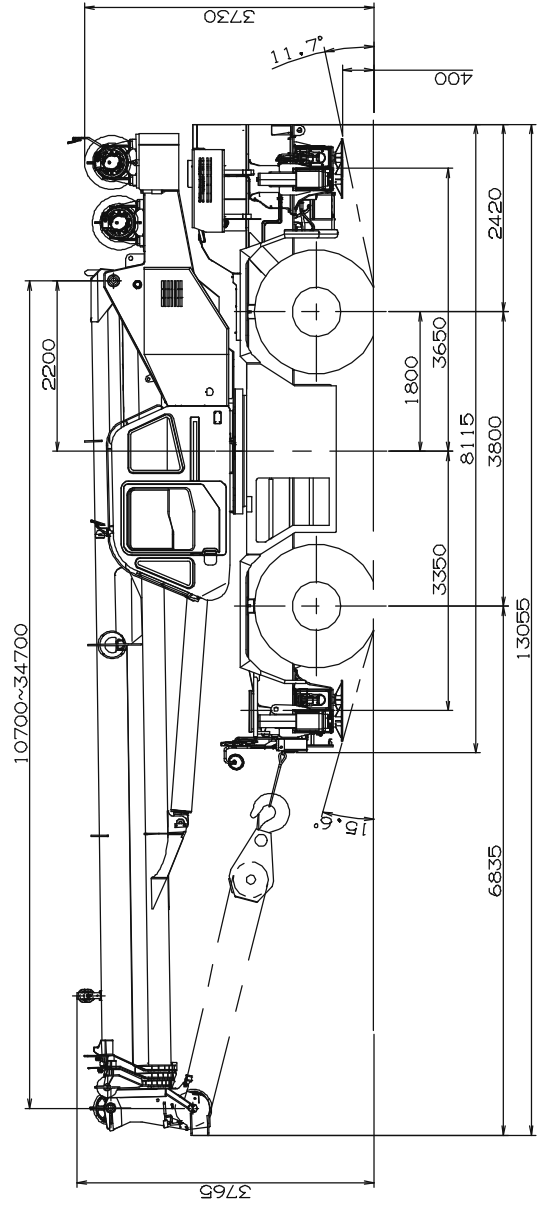
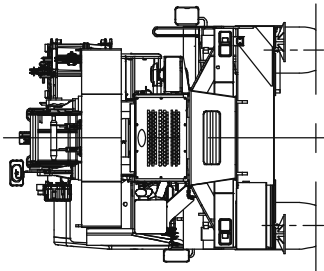
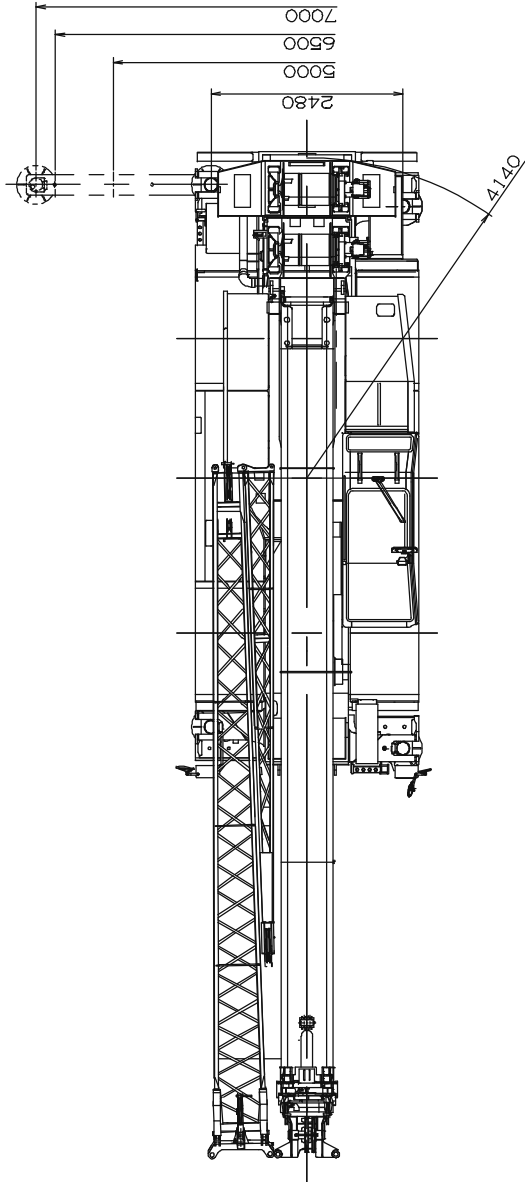


NOTE: Boom and jib geometry shown are for unloaded condition and machine standing level on firm supporting surface. Boom deflection and subsequent radius and boom angle change must be accounted for when applying load to hook.

Boom Length



DIMENSIONS



Note : Dimension is with boom angle at -0.8 °

## GR-500EX Axle Weight Distribution Chart

UNIT : kg

	GVW	Front	Rear
Basic standard machine includes: 4-section boom (10.7 m - 34.7 m) 2-stage jib (8.8 m, 15.2 m) Single top 5.6 ton hook block	33,420	16,440	16,980
Add:			
1. 50 ton 5 sheaves hook block	+500	+920	-420
2. 20 ton 2 sheaves hook block	+400	+740	-340
Remove:			
1. 5.6 ton hook block	-150	-210	+60
2. Top jib	-225	-285	+60
3. Base jib	-625	-1,140	+515